

Quick Reference Guide for EV29L Reusable Transrectal Needle Guide/Plug

1. Reprocessing Before First and Every use

- a. Disassemble before reprocessing
- b. Cleaning Cidezyme, 5 minutes
 - Use an appropriate brush for channels/cannulas
 - Flush all channels/cannulas with cleaner
- c. Sterilization
 - Sterilization: Class B autoclave
 - 134°C (273°F) for 3 min
 - 132°C (270°F) for 4 min
 - Alternately (if autoclave is not available) High-Level Disinfection: Cidex OPA, 12 minutes
 - Flush all channels/cannulas with disinfectant
- d. Inspection after reprocessing

2. Assembly/Disassembly*

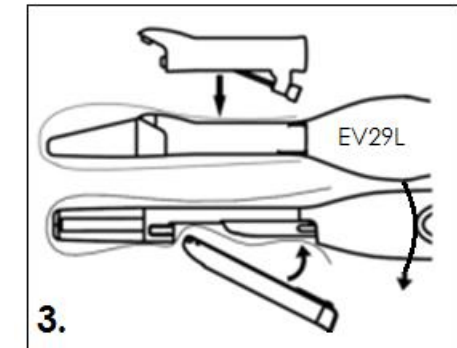
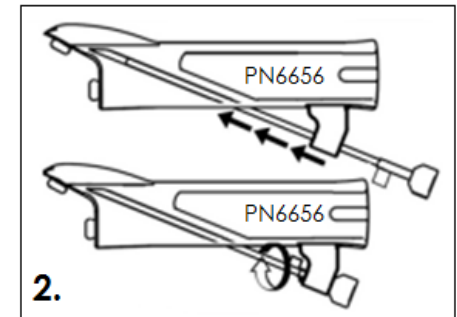
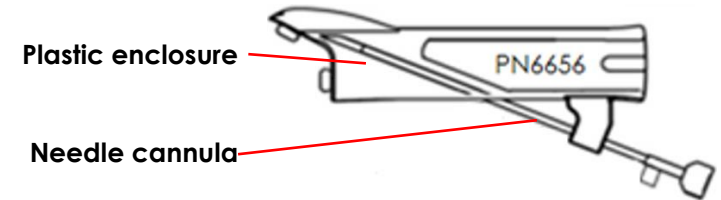
3. Attaching to the EV29L Transducer

4. Software Adjustments

- a. Anesthesia Mode: Select **35°** option for needle guide angle
- b. Biopsy Mode: No change required

*This step is not required for use as plug (for imaging only procedures).

**Install the plastic enclosure underneath the sheath for use as plug (for imaging-only procedures).



Refer to the following Manuals for Detailed Instructions:

| Step | Manual | Section of Manual |
|--|--|---|
| 1. Reprocessing (before first and every use) | Care, Cleaning and Use Guide for EV29L | Chapter 2: General Information Section 2.2.2.4: Reprocessing the EV29L Reusable Transrectal Needle Guide |
| 2. Assembly/ Disassembly | | Chapter 2: General Information Section 2.2.2.3: Preparing the Needle Guide for Use |
| 3. Attaching to the EV29L Transducer | | Chapter 3: Preparing for Imaging Section 2.1.1: Attaching the Needle Guide |
| 4. Software Adjustments | ExactVu Operation and Safety Manual | Chapter 5: Using 2D Mode Section 2.3.1: Using the Needle Guide Overlay with the EV29L Transducer |

If you require **technical assistance** with your ExactVu™ micro-ultrasound system or with the EV29L Reusable Transrectal Needle Guide:

- In all regions except North America, contact EDAP TMS, +33(0)472 153 150 or ccc@edap-tms.com
- In North America (US, CA, MX), contact EDAP US, +1 (512) 852-9685 or service@edap-usa.com



Exact Imaging Inc.
7676 Woodbine Avenue, Unit 15
Markham, ON L3R 2N2, Canada
+1.905.415.0030
info@exactimaging.com



Emergo Europe
Westervoortsedijk 60
6827 AT Arnhem
The Netherlands

Exact Imaging Catalog Numbers

- EV-29L: EV29L Transducer
- EV-BIOGR: EV29L Reusable Transrectal Needle Guide, 18 GA
- EV-BIOG-R16: EV29L Reusable Transrectal Needle Guide, 16 GA
- EV-SYS-220: ExactVu™ Micro-Ultrasound Imaging System (220V)
- EV-SYS-120: ExactVu™ Micro-Ultrasound Imaging System (120V)
- EV-SYS-100: ExactVu™ Micro-Ultrasound Imaging System (100V)



EDAP TMS
4, rue du Dauphiné
69120 Vaulx-en-Velin
France